

# Current sense Transformer, up to 10A<sub>pk</sub> - CT91 xxx 231 WR



- V<sub>out</sub>/I<sub>pk</sub> ratio: 1V/8A
- Global accuracy ± 5% on E96 series load resistor
- Low profile and light
- Materials meet UL94V-0 rating
- Applied standards:  
ESCC-3201 generic (including MIL-STD-202)/ECSS-Q-70-02
- Frequency range 6 kHz to 500 kHz triangle wave
- Operating temperature range: -55°C to +125°C
- Suited for IR and vapor reflow soldering
- Weight : 2 grams

## Electrical Data (25°C)

ID Code	Turn ratio	DCR <sub>1-2</sub> mΩ	DCR <sub>3-4</sub> Ω ±15%	L <sub>3-4</sub> mH ±15%	Frequency range triangle wave	I <sub>pk</sub> = I <sub>DC</sub> + ΔI/2 max	Z Load 1% 1/4W	Insulation 500VDC
CT91 050 231 WR	1/50	<2	0.95	0.4	22kHz to 500kHz	10	6.81Ω	>16Ω
CT91 075 231 WR	1/75	<2	2.15	0.9	15kHz to 300kHz	10	10.2Ω	>16Ω
CT91 100 231 WR	1/100	<2	3.70	1.6	9kHz to 200kHz	10	13.7Ω	>16Ω
CT91 200 231 WR	1/200	<2	14.6	6.4	6kHz to 70kHz	10	27.4Ω	>16Ω

## To Order

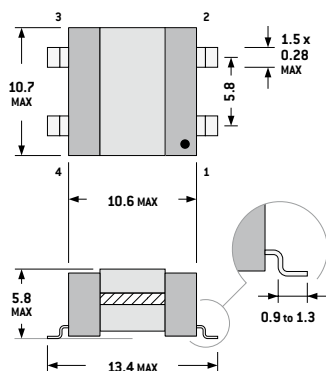
CT91	###	231	WR
Range	Turn ratio	Range	Gull wing highrel

CT91 ### 231 WR

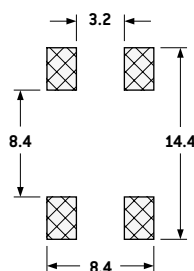
## Notes

Typical performances at +25°C  
Storage Temperature -55°C to +140°C

## Dimensions (mm, top view)

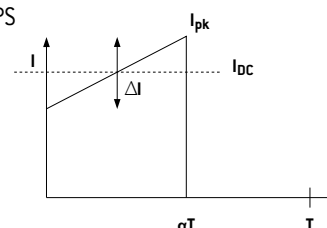


## PCB Layout (suggested)

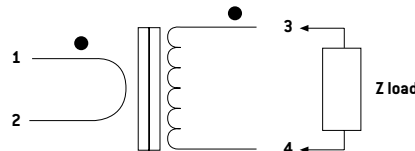


## Application

Current detection/measurement for PWM control  
(I<sub>sense</sub>) in High-Rel. SMPS

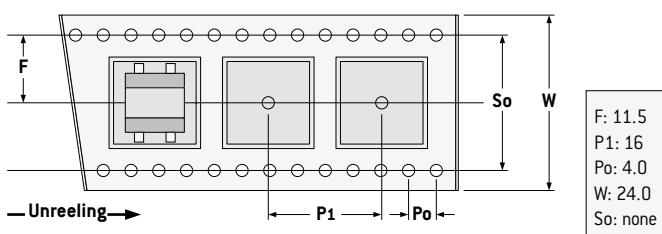


## Connections

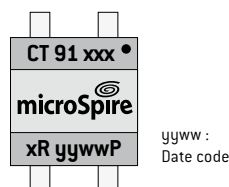


## Packaging

Tape and Reel:  
700 units per reel of diameter 330 mm



## Marking



# Current sense Transformer, 1/200/200 up to 17Apk - CT15 200 231 WR



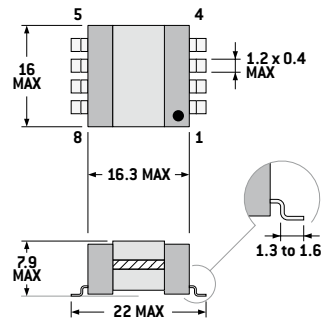
- Global accuracy  $\pm 5\%$
- Low profile and light
- Materials meet UL94V-0 rating
- Applied standards:  
ESCC-3201 generic (including MIL-STD-202)/ECSS-Q-70-02
- Frequency range 6 kHz to 100 kHz triangle wave
- Operating temperature range:  $-55^{\circ}\text{C}$  to  $+125^{\circ}\text{C}$
- Suited for IR and vapor reflow soldering
- Weight : 6 grams

## Electrical Data (25°C)

ID Code	DCR <sub>1-2</sub> mΩ	DCR <sub>5-6/7-8</sub> Ω $\pm 15\%$	L <sub>5-6/7-8</sub> mH $\pm 10\%$	Insulation 500VDC
CT15 200 231 WR	1.1	21.8	6.4	>16Ω

Turn ratio	Schematic	I <sub>p</sub>	I <sub>s</sub>	Z load
1/400		17 A	42.5 mA	27 Ω
1/200		17 A	85 mA	15 Ω

## Dimensions (mm, top view)



## Notes

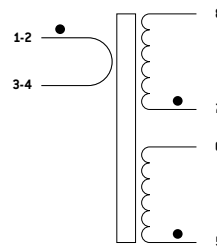
Typical performances at  $+25^{\circ}\text{C}$   
 Storage Temperature:  $-55^{\circ}\text{C}$  to  $+140^{\circ}\text{C}$   
 Thermal index: 180°C

## To Order

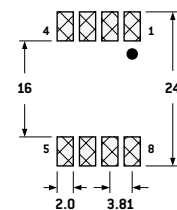
CT15	200	231	WR
Range	Turn ratio	Range	Gull wing highrel

**CT15 200 231 WR**

## Connections

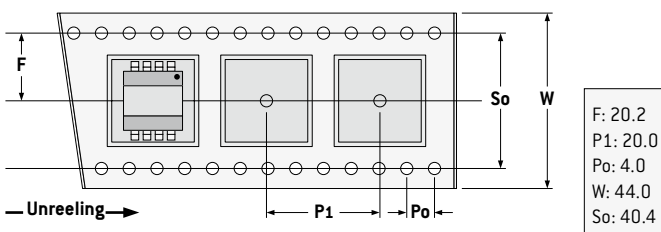


## PCB Layout (suggested)



## Packaging

Tape and Reel:  
700 units per reel of diameter 330 mm



## Marking

