

Marine Winch Slip Rings



Electrical & Electronics		Mechanical		Environmental	
Number of circuits	6CKT	Rotating speed	0~100rpm	Temperature	-20°C~+75°C
Current	2×50A+4×Fiber Optics	Contact material	Copper graphite	Humidity	≤90%RH
Voltage	4000VAC	Housing material	Stainless steel 316	Protection Grade	IP65
Dielectric strength	≥8000VAC@50Hz ≥1000VAC@50Hz (signal)	Wire type	AWG7# Teflon 4-channel single-mode armored fiber	Others	
Insulation resistance	≥1000MΩ@500VDC ≥100MΩ@300VDC (signal)	Wire length	2M		

Features

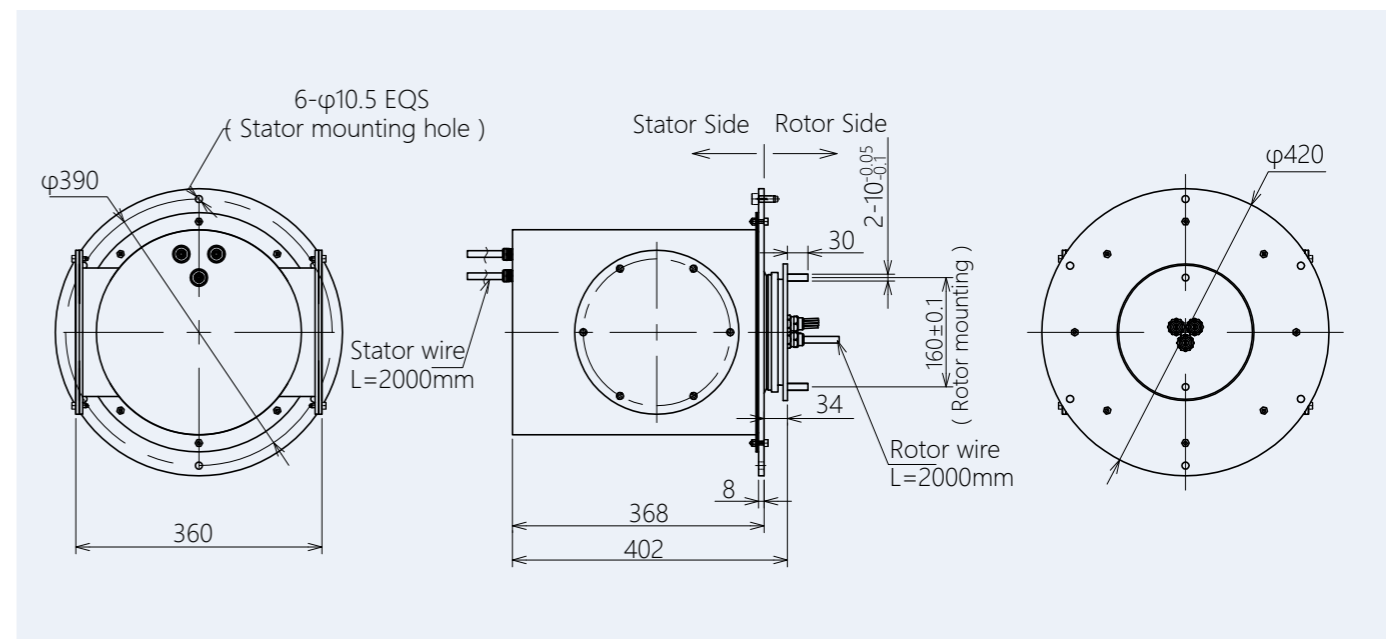
- 4,000V high voltage, transmits power and fiber optic signal
- Reliable and stable channel transmission
- Super long service life, regular maintenance

Advantages

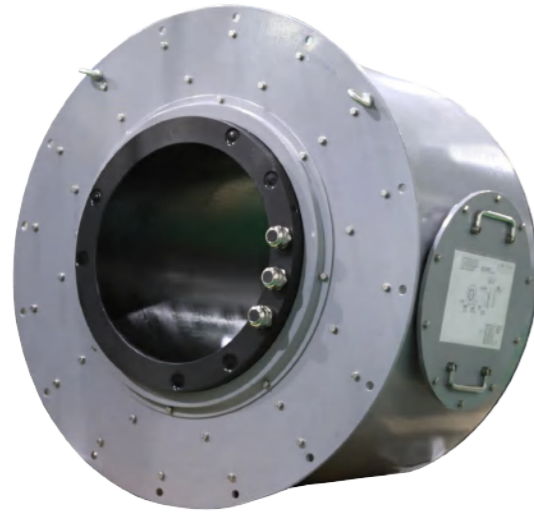
- Long distance transmission reaching 4km
- High data transmission rate, low loss and no interference
- High protection level, strong corrosion-resistance, shock-resistance and vibration-resistance, fits in harsh maritime environment

Large Current Slip Ring	
Model	Applications
LPA000-0250-FO04	15T cable towing winch

Outline drawings



Platform Winch Slip Rings



Electrical & Electronics		Mechanical		Environmental	
Number of circuits	4CKT	Rotating speed	0~1rpm	Temperature	-10°C~+60°C
Current	3×350A+1×PE	Contact material	Copper graphite	Humidity	≤90%RH
Voltage	380VAC	Housing material	Q235	Protection Grade	IP56
Dielectric strength	≥1500VAC@50Hz	Wire type	95mm ² soft rubber wire	Others	
Insulation resistance	≥1000MΩ@500VDC	Wire length	/		
		Life span		Life span	Can be customized

Features

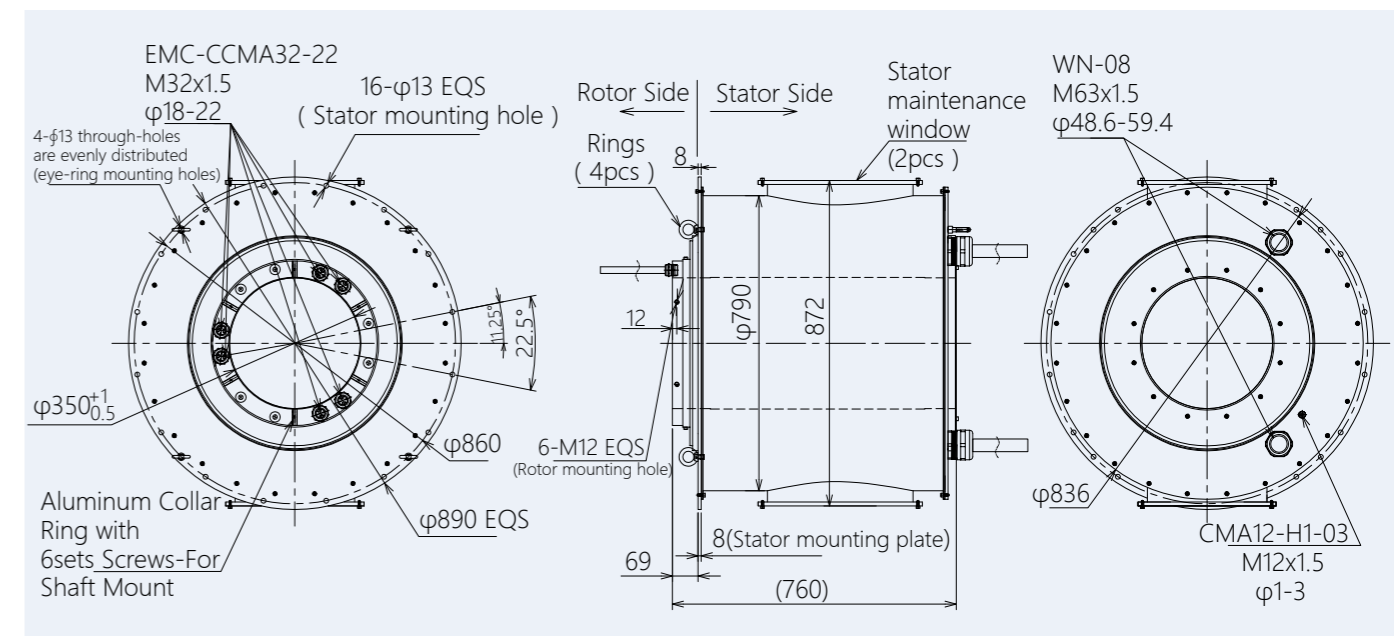
- Bore diameter 350mm
- Adopt imported graphite brush
- Super long service life, regular maintenance

Advantages

- 350mm large through-bore diameter, high-power transmission
- High data transmission rate, low loss and no interference
- High protection level, strong corrosion-resistance, shock-resistance and vibration-resistance, fits in harsh maritime environment

Large Current Slip Ring	
Model	Applications
LPA350-03350-01PE	1200T wind turbine installation platform winch

Outline drawings



Marine Crane Slip Rings



Electrical & Electronics		Mechanical		Environmental	
Number of circuits	14CKT	Rotating speed	0~5rpm	Temperature	0°C~+50°C
Current	3×400A+1×PE+10S	Contact material	Precious metal/ copper graphite	Humidity	≤95%RH
Voltage	690VAC	Housing material	Q235	Protection Grade	IP44
Dielectric strength	≥2500VAC@50Hz ≥1000VAC@50Hz (signal)	Wire type	70mm ² soft rubber wire/1mm ² Teflon	Others	
Insulation resistance	≥500MΩ@1000VDC ≥500MΩ@500VDC (signal)	Wire length	Without cable		

Features

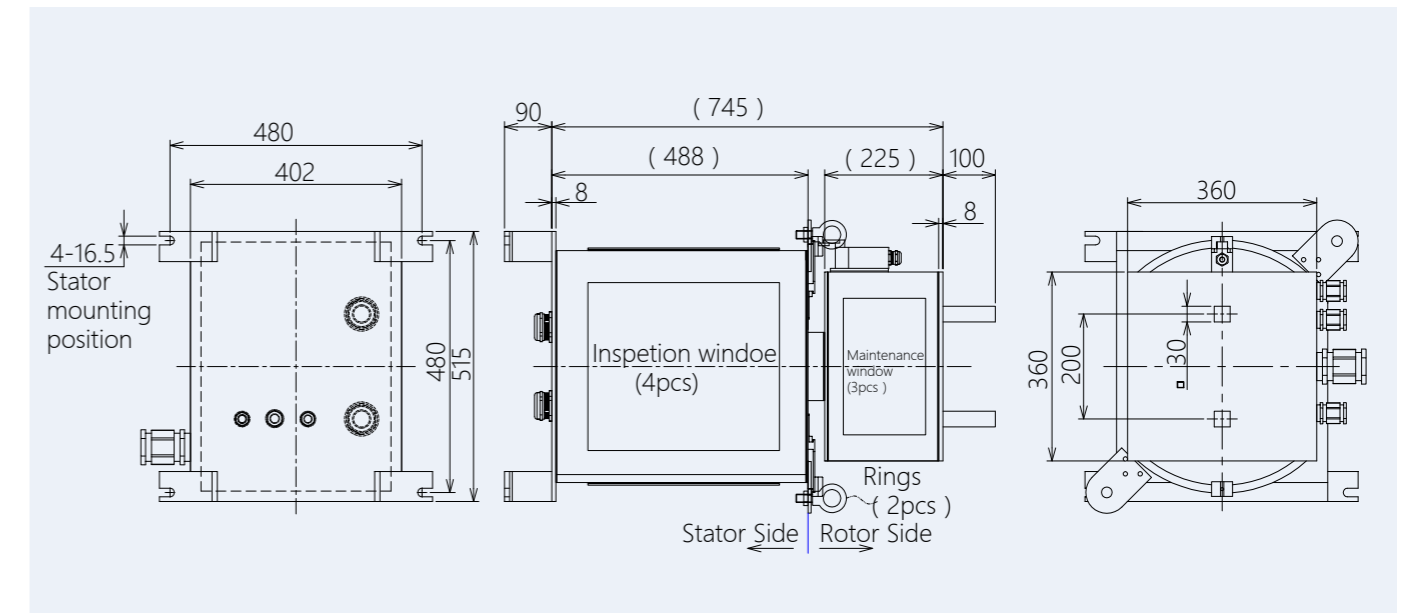
- 400A large current
- Super long service life, regular maintenance
- Protection grade IP44

Advantages

- Simultaneous transmission of high power and signals
- Adopts imported graphite brush, stable performance
- Strong corrosion-resistance, shock-resistance and vibration-resistance, fits in harsh maritime environment

Large Current Slip Ring	
Model	Applications
LPA000-03400-01PE-10S	35T Marine Crane

Outline drawings



Entertainment Equipment Slip Rings



Electrical & Electronics		Mechanical		Environmental	
Number of circuits	53CKT	Rotating speed	0~15rpm	Temperature	-10°C~+80°C
Current	14×500A+12×50A+9×2A+2×Gigabit Ethernet	Contact material	Precious metal/copper graphite	Humidity	≤85%RH
Voltage	380VAC	Housing material	Q235	Protection Grade	IP51
Dielectric strength	≥1500VAC@50Hz ≥300VAC@50Hz (signal)	Wire type	95/25mm ² rubber wire/ AWG26# Teflon/ Ethernet cable	Others	
Insulation resistance	≥500MΩ@1000VDC ≥100MΩ@300VDC (signal)	Wire length	/		

Features

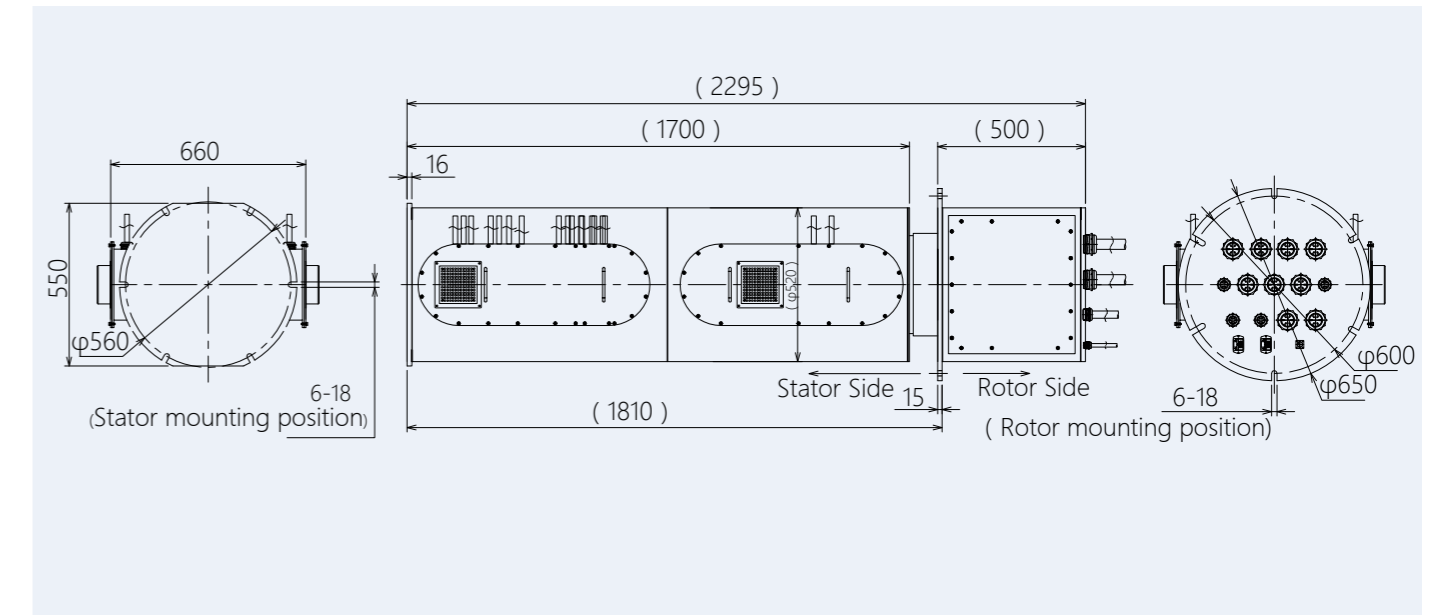
- Built-in ventilation system, low temperature rise
- Adopts imported graphite brush
- Precise rotate angel, great transmission performance, smooth and reliable operation

Advantages

- Simultaneous rotary transmission of high power and signals
- Independent module design to eliminate interference
- Multi-channel for large current, outer height up to 2.3m, module assembling

Large Current Slip Ring	
Model	Applications
LPA000-14500-1250-0902-02E3	Dynamic 5D Cinema

Outline drawings



Floating Crane Slip Rings



Electrical & Electronics		Mechanical		Enviromental	
Number of circuits	40CKT	Rotating speed	0~5rpm	Temperature	-20°C~+50°C
Current	9×800A+1×PE+30×20A+4×fluid	Contact material	Precious metal/copper graphite	Humidity	≤95%RH
Voltage	440VAC/230V	Housing material	Q235	Protection Grade	IP22
Dielectric strength	≥2500VAC@60Hz ≥500VAC@60Hz (signal)	Wire type	150mm ² rubber wire/ AWG12# Teflon	Others	
Insulation resistance	≥500MΩ@1000VDC ≥500MΩ@500VDC (signal)	Wire length	/		

Features

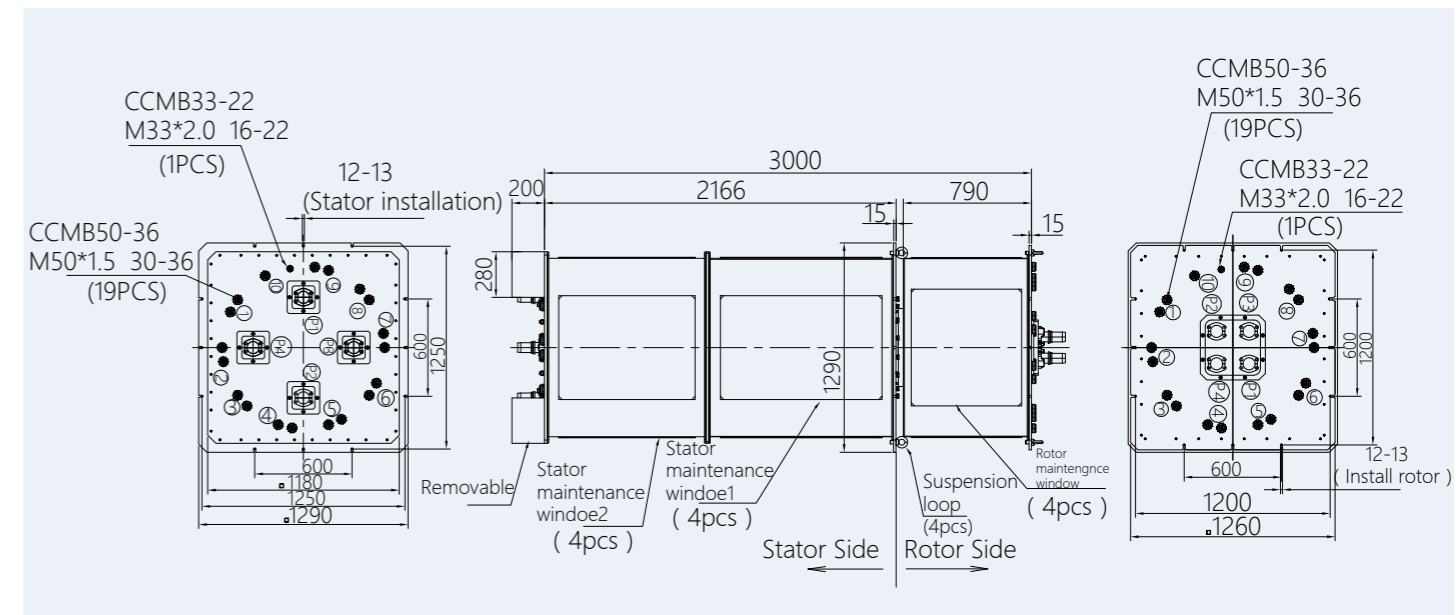
- Large size, outer configuration 1.3*1.3*3M
- Super long service life, regular maintenance
- Excellent transmission performance, smooth operation, good isolation with hydraulic channel and pneumatic channel

Advantages

- Simultaneous rotary transmission of high power, signals, gas and fluid.
- Adopts imported graphite brush with stable performance
- Large pipe diameter high temperature rotary joint, can endure high temperature up to 150°C, 65mm pipe diameter

Large Current Slip Ring	
Model	Applications
LPA000-09800-01PE-3020-04L	Floating Crane

Outline drawings



Ship Electric Propeller Slip Rings



Electrical & Electronics		Mechanical		Environmental	
Number of circuits	62CKT	Rotating speed	0~3rpm	Temperature	-5°C~+45°C
Current	6×200A+6×18A +44× signal +1×gas+5×liquid	Contact material	Precious metal/ copper graphite	Humidity	≤95%RH
Voltage	440VAC/220VAC /24DAC	Housing material	Stainless steel 304	Wire length	custom
Dielectric strength	≥2500VAC@50Hz ≥500VAC@50Hz (signal)	Wire type	70mm ² marine shielded cable CBPJP 85-SC/3*2.5mm ² Marine cable CBPJP 85-SC/12*0.22mm ² Marine cable CBJPJ 85-SC/12*0.22mm ² Marine cable CBJPJ 85-SC	Protection Grade	IP65
Insulation resistance	≥500MΩ@1000VDC ≥500MΩ@500VDC (signal)			Others	
		Life span	Can be customized		

Features

- Long life and easy maintenance
- High rotation precision, excellent transmission performance, stable and reliable operation
- Diverse form factor to support more installation requirements

Advantages

- Power can be 3MW, 6MW, 7.5MW, etc.
- High-power, signal and gas-liquid rotary joint hybrid transmission
- IP65 protection level

Large Current Slip Ring	
Model	Applications
LPA000-06200-0618-44S-01A-05L	200kW ship electric propeller

Outline drawings

