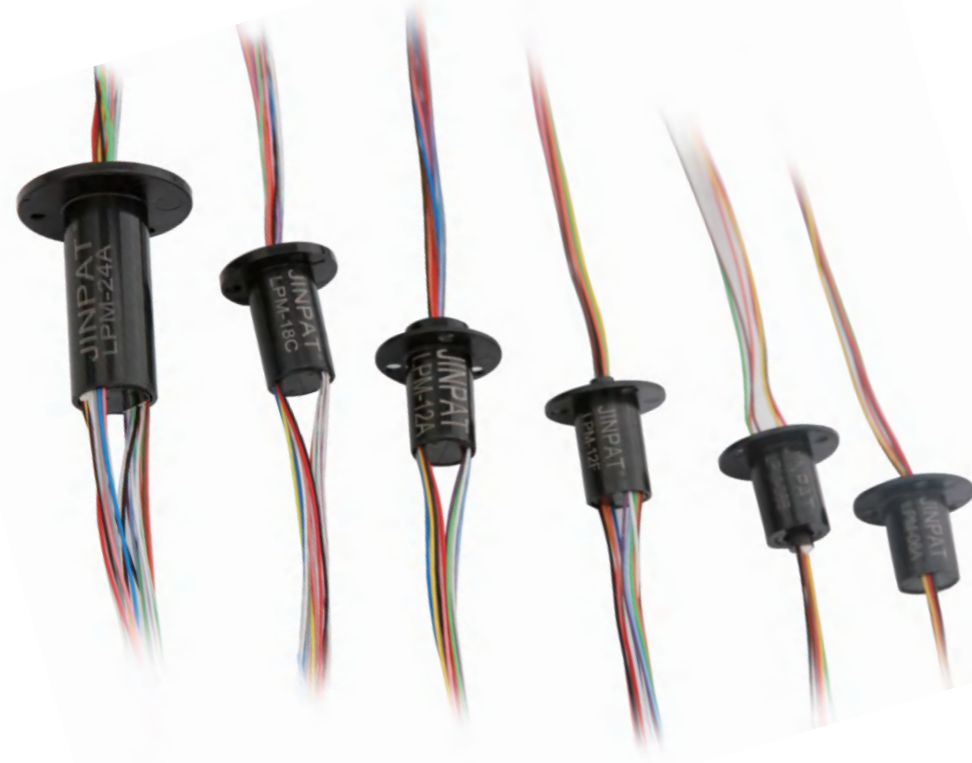


LPM Miniature Capsule Slip Rings



Electrical & Electronics		Mechanical		Enviromental	
Number of Circuits	1-30 or more	Rotating Speed	0-300rpm or higher	Temperature	Industrial: -20°C~+60°C Military: -50°C~+80°C
Current	1-2A or higher	Contact Material	Gold-to-gold	Humidity	60%RH or higher
Voltage	0-110VAC/DC	Housing Material	Engineering Plastics/ Metals (optional)	Protection Grade	IP40
Dielectric Strength	≥200VAC@50Hz	Torque	≤0.88 g.m (for reference)	Others	
Insulation Resistance	≥50MΩ@200VDC	Wire Type	AWG30# Teflon or others		
Dynamic Contact Resistance	1mΩ min.	Wire Length	250mm (optional)	Life Span	Customizable

Brief Introduction

LPM Miniature Capsule Slip Ring is able to integrate 30 or more circuits, with optional outer diameter from 12.5mm~16mm. This series adopts advanced military-standard surface processing techniques, and is highly precise, compacter and easy to assemble. Gold-to-gold contact ensures low resistance and super long service life. Representative models: LPM-04A/06A/12F/18C/24A/30A,etc. It is able to integrate various signals: Ethernet, USB, RS, LVDS, CAN bus, Fire Wire, SDI and HDMI, etc.

Features:

⊙Compact size/Gold-to-gold contact/Low resistance/Long service life/Integrate multifarious signals

Options:

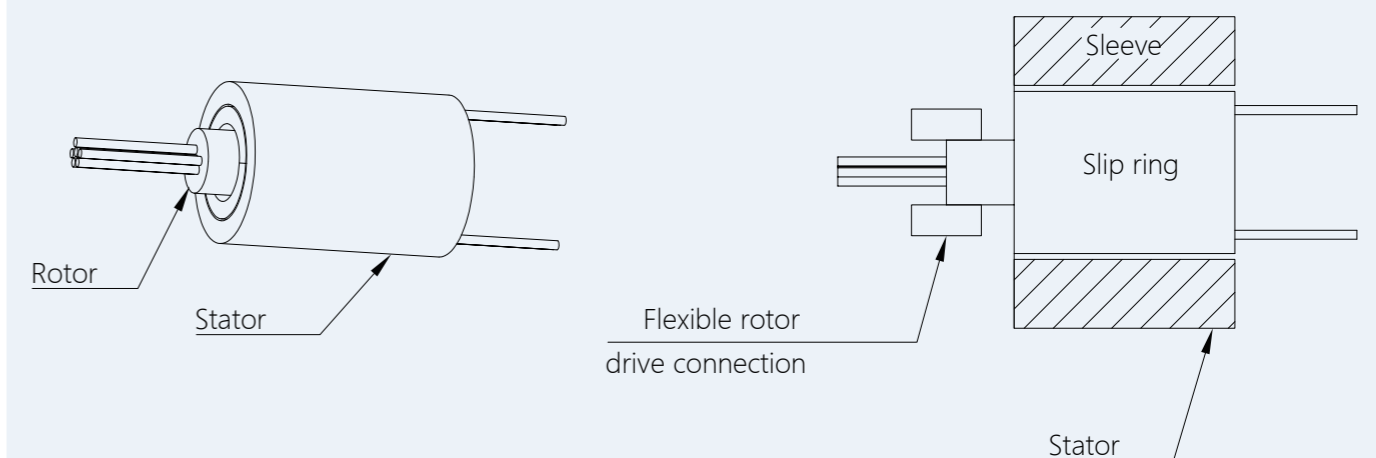
⊙Rotating speed/Life span/Protection grade/Number of circuits/Current capacity/Size/Housing material/Mass production

Main Applications:

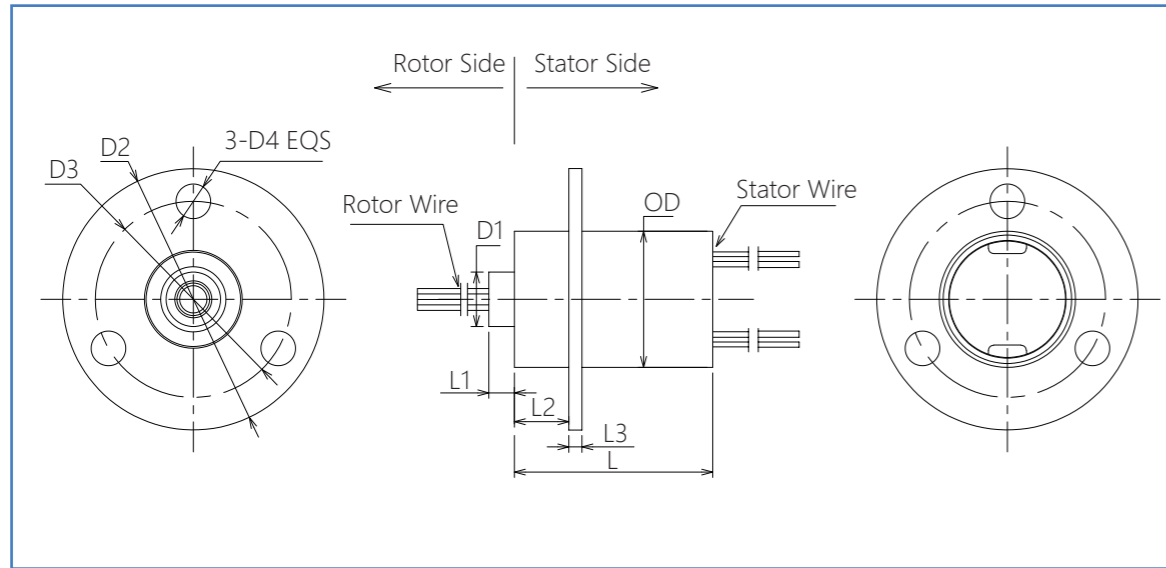
⊙Robot vacuum/Rocker camera/Petrol and mine platforms/Testing equipment/Electrical testing equipment/Medical instruments

Installation Specifications

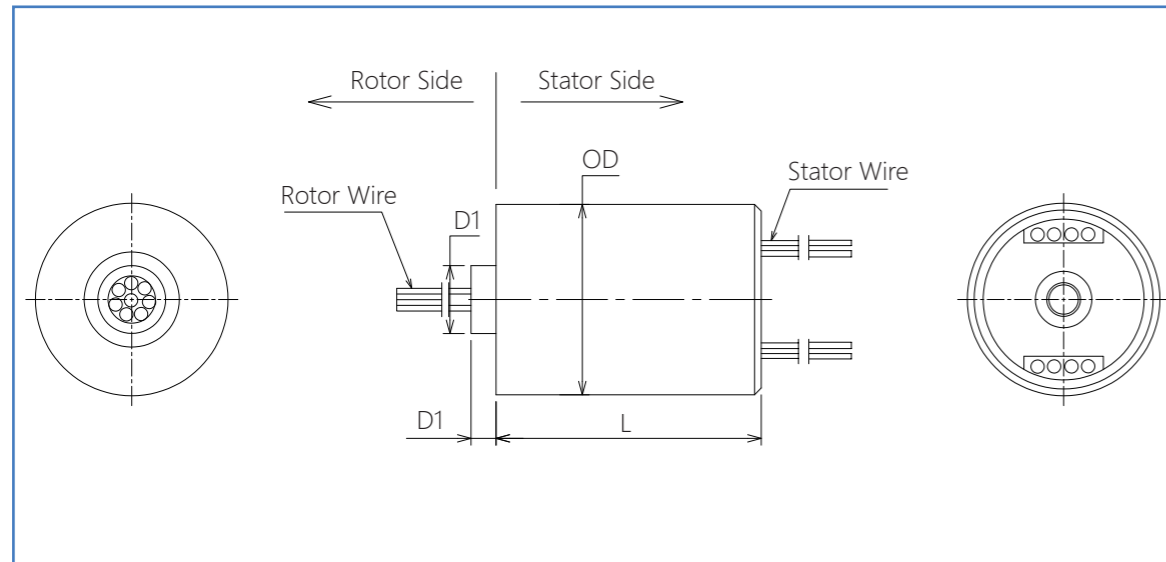
1. The slip ring is designed to be mounted in the fixing part for the stator with no flange.
2. The fixing part for the rotor should be connected well to guarantee a concentric drive of the slip ring. If the rotor lead wires are used as the drive by customers, it should be evaluated according to the usage of the product.
3. The slip ring cannot bear the weight of its connected equipment, of which the rotary parts should be fixed tightly to avoid its weight from being added to the rotor part of the slip ring.
4. The slip ring should be protected from dust and moist. If it is used outdoors, a protection cover should be considered. (Custom slip rings are not included)
5. Protect all wire skins from being damaged during the rotation of the equipment. The end of all wires should not bear weight, withstand force, or be pulled in wires arrangement.
6. Do not damage the outer skin of wires' other parts during the operation of wire stripping.



The Outline Drawing of LPM Miniature Slip Ring (with Flange)



The Outline Drawing of LPM Miniature Slip Ring (without Flange)



Wire Color Code

Wire Size	Ring	Color	Ring	Color	Ring	Color	Ring	Color
AWG28# Silver-Plated Teflon UL	#1	BLK	#2	BRN	#3	RED	#4	ORN
	#5	YEL	#6	GRN	#7	DK BLU	#8	PPL
	#9	GRY	#10	WHT	#11	PNK	#12	LT BLU
	#13	WHT/BLK	#14	WHT/BRN	#15	WHT/RED	#16	WHT/ORN
	#17	WHT/YEL	#18	WHT/GRN	#19	WHT/BLU	#20	WHT/PPL
	#21	WHT/GRY	#22	CLR	#23	BLK/RED	#24	BLK/TAN

LPM Miniature Capsule Slip Rings

Model	Number of Circuits	OD*Length (mm)	Voltage (AC/DC)	Current (A)	Rotor Outer Diameter (D1)	Flange Outer Diameter (D2)	Flange Mounting Hole Position (D3)	Flange Mounting Hole Inner Diameter (D4)	Rotor Exposed Length (L1)	Flange Position (L2)	Flange Thickness (L3)
LPM-04A	4	φ12.5*15.6	110V	1-2A	φ5	φ24	φ18	φ2.4	2.5	1.7	1.5
LPM-06A	6	φ12.5*18.2	110V	1-2A	φ5	φ24	φ18	φ3.2	2.3	0	1.2
LPM-06B	6	φ12.5*18.2	110V	1-2A	φ5	φ24	φ18	φ3.2	2.3	17	1.2
LPM-08A	8	φ12.5*25.3	110V	1-2A	φ5	φ24	φ18	φ3.2	2.2	19.3	1
LPM-12A	12	φ12.5*25.2	110V	1-2A	φ5	φ24	φ18	φ3.2	2.2	5	1
LPM-12B	12	φ12.5*25.5	110V	1-2A	φ5	φ29	φ22	φ4	2.3	0	2.3
LPM-12U	12	φ12.5*25.5	110V	1-2A	φ5	φ0	φ0	φ0	2.4	0	0
LPM-18A	18	φ15.5*40	110V	1-2A	φ7	φ32	φ25	φ3.5	6	0	2
LPM-18C	18	φ12.8*23.5	110V	1-2A	φ5	φ22.3	φ17.5	φ3.2	4	0	2.2
LPM-20B	20	φ15.5*35	110V	1-2A	φ7	φ32	φ25	φ3.5	6	0	2
LPM-24A	24	φ15.5*39.7	110V	1-2A	φ7	φ32	φ25	φ2.8	6	0	2.2
LPM-30A	30	φ16*37	110V	1-2A	φ13	φ0	φ0	φ0	2.5	0	2
LPM-30B	30	φ16*37	110V	1-2A	φ7	φ32	φ25	φ2.8	7	0	2.2